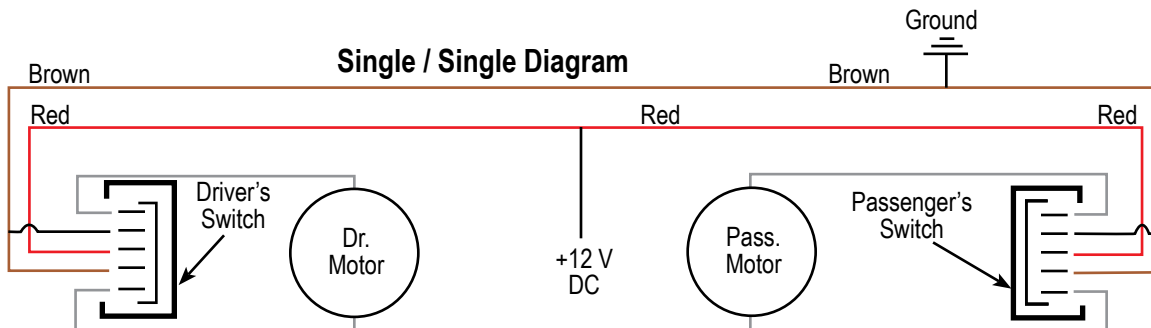


Driver's Side Door



*\*If the switch is backwards, (pressing up on switch rolls window down), reverse the two wires that attach to the motor.\**