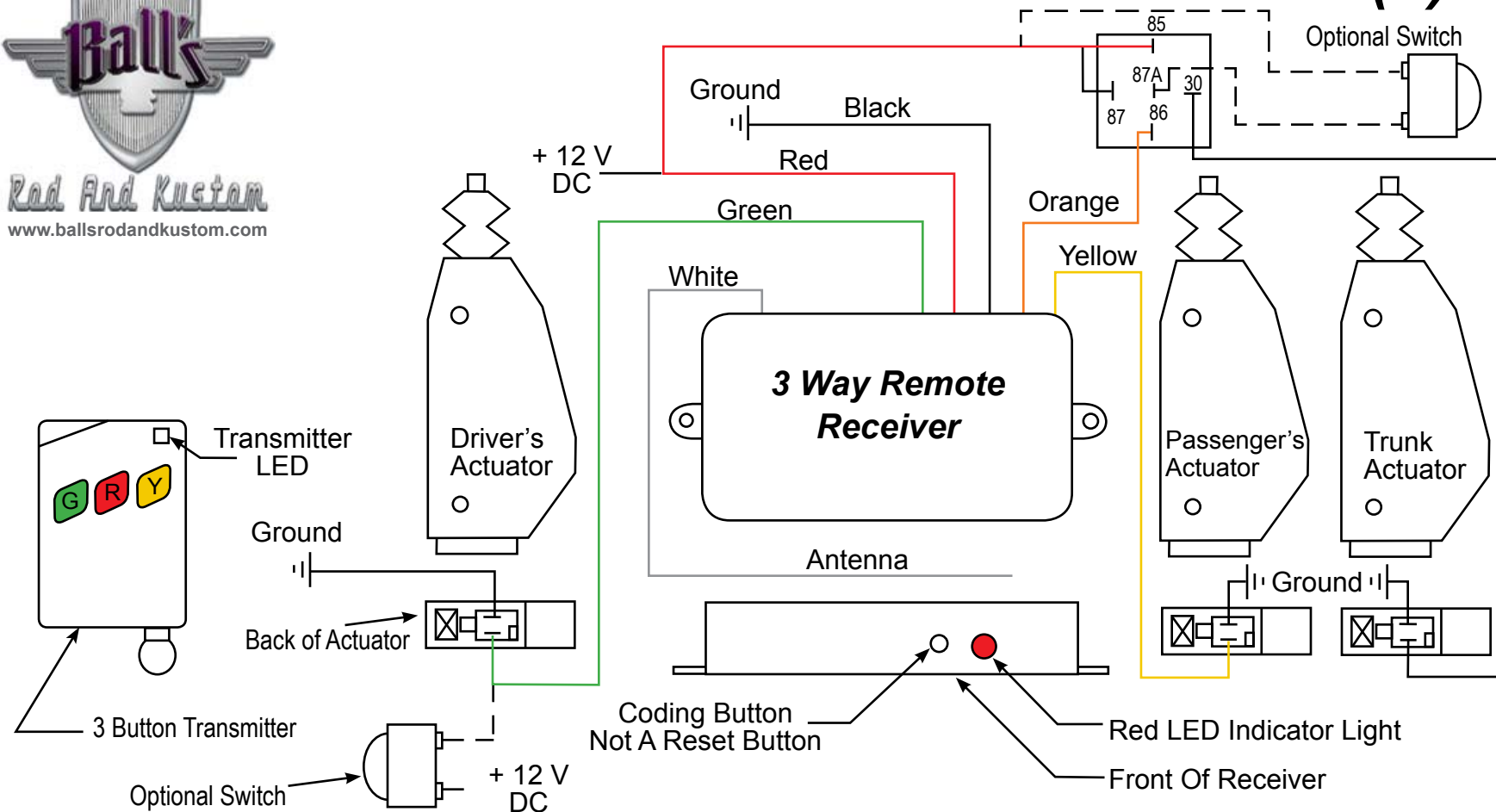




www.ballsrodandkustom.com

3 Function Remote Control (T)



** Notes For Installation **

1. The button located on the front of the receiver is for coding only. It does not reset the remote after a loss of power. Pushing this button will cause transmitters to lose their code and require recoding. Recoding can not be done without access to the receiver.
2. The red LED on the front of the receiver will flash every 7 seconds under normal operation.
3. This remote will not work off of a battery charger. Trust us! Use a battery for testing on a bench.
4. Always hook up the ground for the receiver after all other wiring is complete and disconnect it before removing any other wires. If working on the car, disconnect the ground side of the battery.
5. Ball's door actuators can push or pull. The diagram shown above will cause the actuators to pull. To cause the actuators to push, reverse the two wires that plug into the back of the actuator. The white connector is not used for anything.
6. The green button on the transmitter will activate the driver's door, the yellow button will activate the passenger's door, and the red button activates the trunk. The red button can also be used to roll a window down. Call for the proper schematic if this is your application.
7. Both outputs are on 2 second timers. They will not provide a constant output that is required to remote control power windows.
8. E-mail mail@ballsrodandkustom.com for technical help.

Visit www.ballsrodandkustom.com for our online catalog!