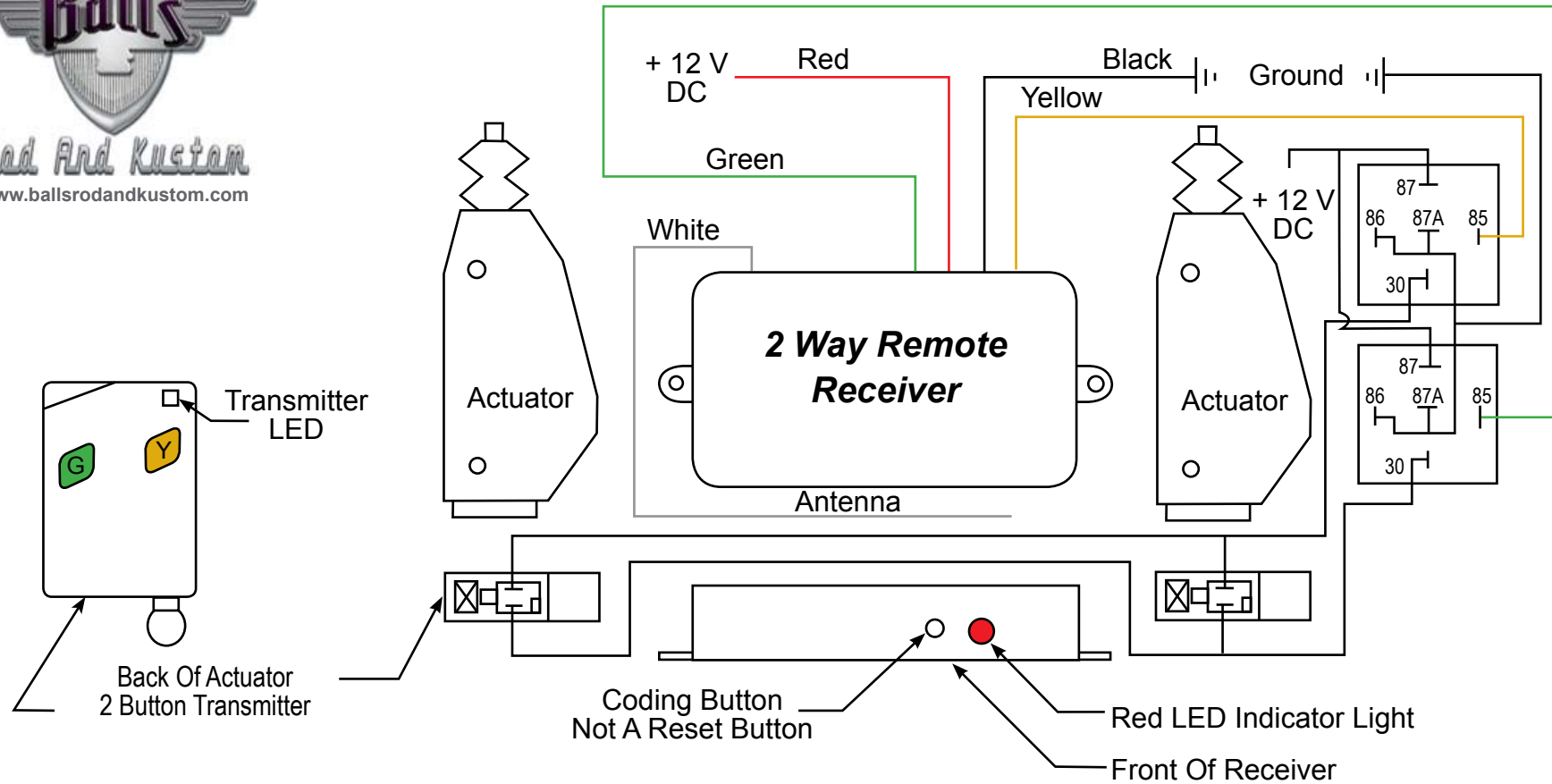




2 Function Remote Control (Locks)



** Notes For Installation **

1. The button located on the front of the receiver is for coding only. It does not reset the remote after a loss of power. Pushing this button will cause transmitters to lose their code and require recoding. Recoding can not be done without access to the receiver.
2. The red LED on the front of the receiver will flash every 7 seconds under normal operation.
3. This remote will not work off of a battery charger. Trust us! Use a battery for testing on a bench.
4. Always hook up the ground for the receiver after all other wiring is complete and disconnect it before removing any other wires. If working on the car, disconnect the ground side of the battery.
5. Reversing the two wires on the back of the actuator will reverse its function. (lock/unlock) The white connector is not used for anything.
6. Both outputs are on 2 second timers. They will not provide a constant output that is required to remote control power windows.
7. Contact Ball's tech support if you would like a diagram to use switches inside the car.
8. E-mail mail@ballsrodandkustom.com for technical help.

Visit www.ballsrodandkustom.com for our online catalog!